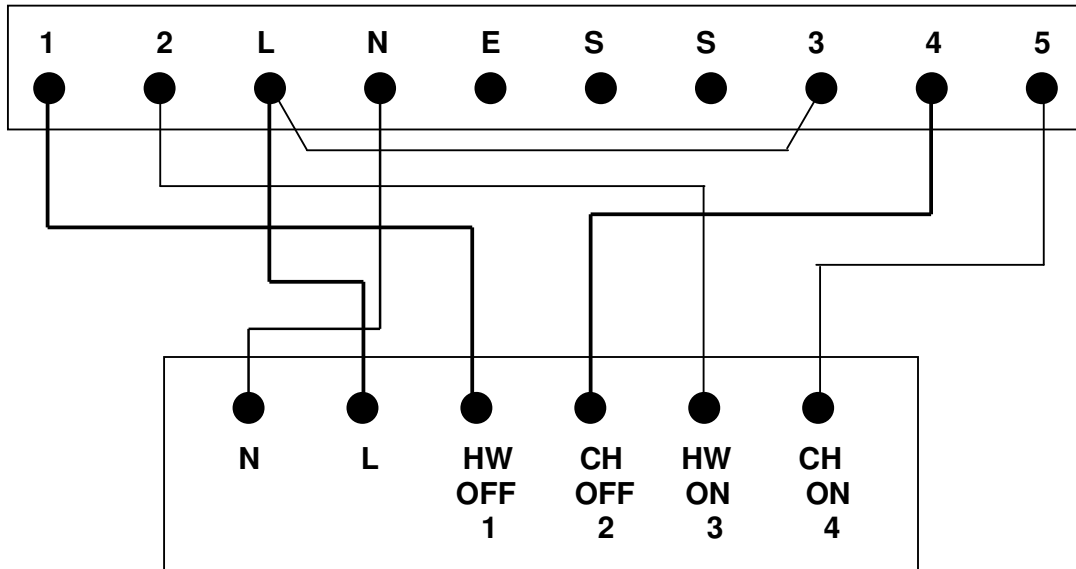


SP 100



SunPro2000

Only terminals which have wires in them, need to be transferred from the SP100 to the SunPro2000.

The SunPro2000 does not have spare terminals (S). Any wires brought together here, must be joined in some way to maintain the circuit in working order.

The SunPro2000 is double insulated and does not require an EARTH.

The link between L and terminal 3 on the SP100 is not required on the SunPro2000, this connection is made internally.

NB. All installations and maintenance must be carried out by a competent person and in accordance with current building and wiring regulations.

Please consult user and installation instructions for all products used.

TECHNICAL HELPLINE 01698 810945

Monday to Thursday 09:00 - 12:00
13:00 - 16:00
Friday 09:00 - 12:00

SUNVIC CONTROLS LIMITED
Units 1 & 2 Block 1, 251 Low Waters Road
Cadzow Industrial estate, Hamilton ML3 7QU
Tel No. +44(0)1698 812944 Fax No. +44(0)1698 813637



SUNVIC
comfort in control