



## SunStat Si & SunStatRF Si Wired & Wireless Programmable Room Thermostats



- **Easy to programme** – fewer installer call-backs
- **Large clear display** – ideal for visually impaired
- **Intuitive screen icons** – easy for users to understand
- **4 daily, independent time & temperature pairs** – simple to use copy function
- **TPI control electronics** – saves up to 10% of energy costs
- **Screen lock facility** – protects against unauthorised changes
- **Frost protection facility** – protects building
- **Volt free switching** – ideal for combination boilers
- **Service Interval** – helps landlords comply with gas regulation
- **Delayed Start** – saves the householder energy

“The SunStat Si & SunStatRF Si programmable room thermostats now include an installer activated Service Interval mode which helps landlords comply with current gas regulations. The addition of the user activated Delayed Start mode allows the householder to save energy, on warmer days, by delaying switching on the central heating, for up to one hour, when the actual room temperature is close to the desired room temperature.”

Sunvic Helpline

### Programme Specifications

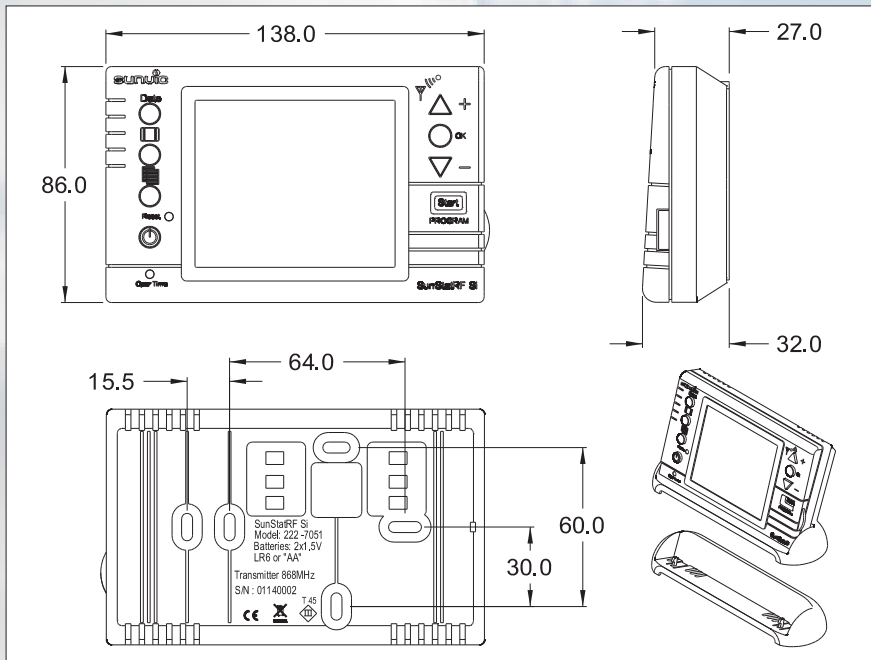
4 daily independent time and temperature pairs
Default programme ON times
Default temperature settings
User adjustable programmes
Screen Lock
OFF mode has integral frost protection setting (5°C)
Holiday mode (1 hour to 99 days)
Temporary programme override
Service Interval mode (installer selectable)
Delayed Start mode (user selectable)

### Digital Display Specifications

Day of week No.
Time of day
Room temperature
Low battery indicator
Heat "ON" indicator
Active programme icon
Holiday mode
ON time counter
Blue backlit LCD
Service Due warning
Delayed Start operational



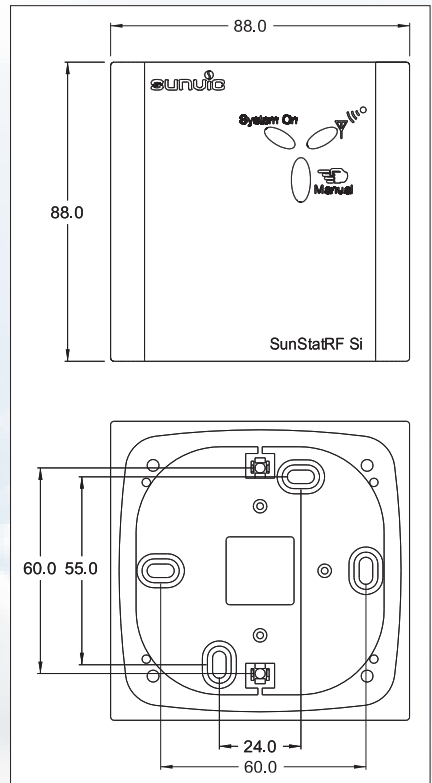
Factory Set Default Value		
Programme No.	"ON" Time	"OFF" Temperature
P1	06.00	21°C
P2	08.30	18.0°C
P3	16.00	21.0°C
P4	23.00	17.0°C



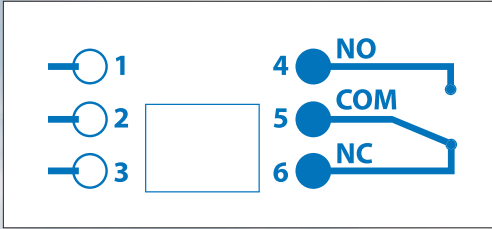
<b>SunStat Si Specification</b>	
Power Source	2 x 1.5V AA batteries (enclosed in pack)
Contact rating	10(3)A / 230Vac-50Hz
Volt free	Yes
Size (mm)	138 x 86 x 32
Weight (g)	226 (inc. batteries)
Box dimensions (mm)	170 x 120 x 50
IP rating	IP20
Display temperature range	5°C - 45°C
Control temperature range	5°C - 45°C
Storage temperature	(-10)°C - 50°C
Temperature accuracy	±1°C (at 20°C)
Temperature differential	<1°C (at 20°C)
Clock accuracy	±3 seconds / day
European Standards	EN60730-2-9
European Directives	CE Mark WEEE & RoHS Compliant



<b>SunStatRF Si Transmitter (Tx) Specification</b>	
Power Source	2 x 1.5V AA batteries (enclosed in pack)
Size (mm)	138 x 86 x 32
Weight (g)	226 (inc. batteries)
Box dimensions (mm)	245 x 150 x 65
IP rating	IP20
Display temperature range	5°C - 45°C
Control temperature range	5°C - 45°C
Storage temperature	(-10)°C - 50°C
Temperature accuracy	±1°C (at 20°C)
Temperature differential	<1°C (at 20°C)
Clock accuracy	±3 seconds / day
Tx frequency (MHz)	868
Address codes	Max 16
European Standards	EN60730-2-9 EN 300 220-2 V2.3.1
European Directives	CE Mark WEEE & RoHS Compliant
Cradle supplied	Wall mounted or free standing

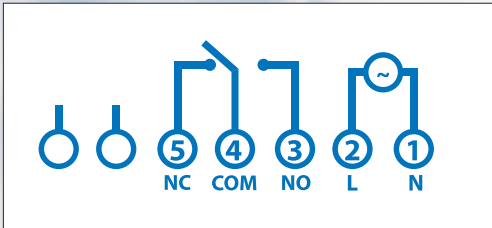


<b>SunStatRF Si Receiver (Rx) Specification</b>	
Power Source	230VAC +/-10%, 50-60Hz
Contact rating	16(3)A / 230Vac-50Hz 5A / 24VDC
Volt free	Yes
Size	88 x 88 x 49
Weight (g)	181
Box dimensions (mm)	Included in TX box
IP rating	IP20
Range (m)	30+
European Standards	EN60730-2-9
European Directives	CE Mark WEEE & RoHS Compliant



The **SunStat Si** & **SunStatRF Si** programmable room thermostats can be used as equivalents to many of the other established brands on the market. The wiring details should always be checked by a competent person prior to installation.

### SunStat Si



### SunStatRF Si

Legacy Products		
Model	Part Number	Replaces
SunStat Si	2227002	Sunvic TLX 6501 (2226501) Sunvic SunStat (2227001)
SunStatRF Si	2227052	Sunvic TLX RFP (2226501rfpv) Sunvic TLX RFP(2226001RFPv) Sunvic SunStat RF (2227051)



@sunviccontrols



sales@sunvic.co.uk



Call now on **+44 (0)1698 812 944**

**www.sunvic.co.uk**