

## Select 107 XLS User Instructions

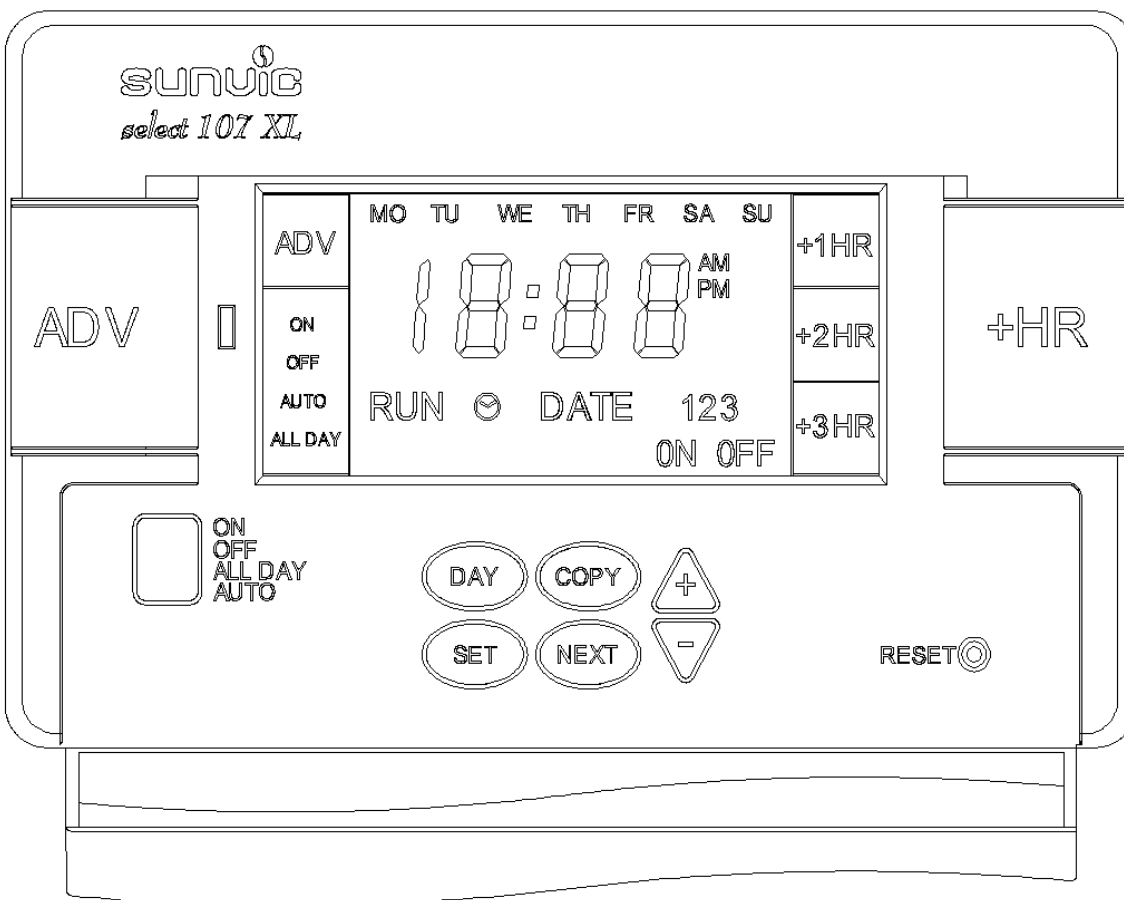
A timeswitch allows you to set 'On' and 'Off' time periods. The timeswitch will allow you to set the 'On' and 'Off' time periods for either Hot water or Central heating to suit your own lifestyle. On some timeswitches you must also set whether you want the heating or hot water to run continuously, run under the chosen 'On' and 'Off' heating periods, or be permanently off.

The time on the timeswitch must be correct. Some types have to be adjusted in spring and autumn at the changes between Greenwich Mean Time and British Summer Time.

You may be able to temporarily adjust the heating programme, for example, 'Override', 'Advance' or 'Boost'. These are explained in the manufacturer's instructions.

The heating will not work if the room thermostat has switched the heating off. And, if you have a hot-water cylinder, the water heating will not work if the cylinder thermostat detects that the hot water has reached the correct temperature.

### SELECT 107XLS USER INSTRUCTIONS



### INTRODUCTION

The SELECT 107 XLS electronic timeswitch can automatically switch ON and OFF, up to 3 times a day, at whatever times you choose.

During installation, the installer selects 24 hour, or 5 day/2 day, or 7 day programming and 2 or 3 on/off periods per day, via a 4 position DIP switch on the back of the unit (see installation instructions).

**IMPORTANT:** These settings should only be changed by a qualified person. Contact your installer.

The 24 hour programmer option runs the same programme every day.

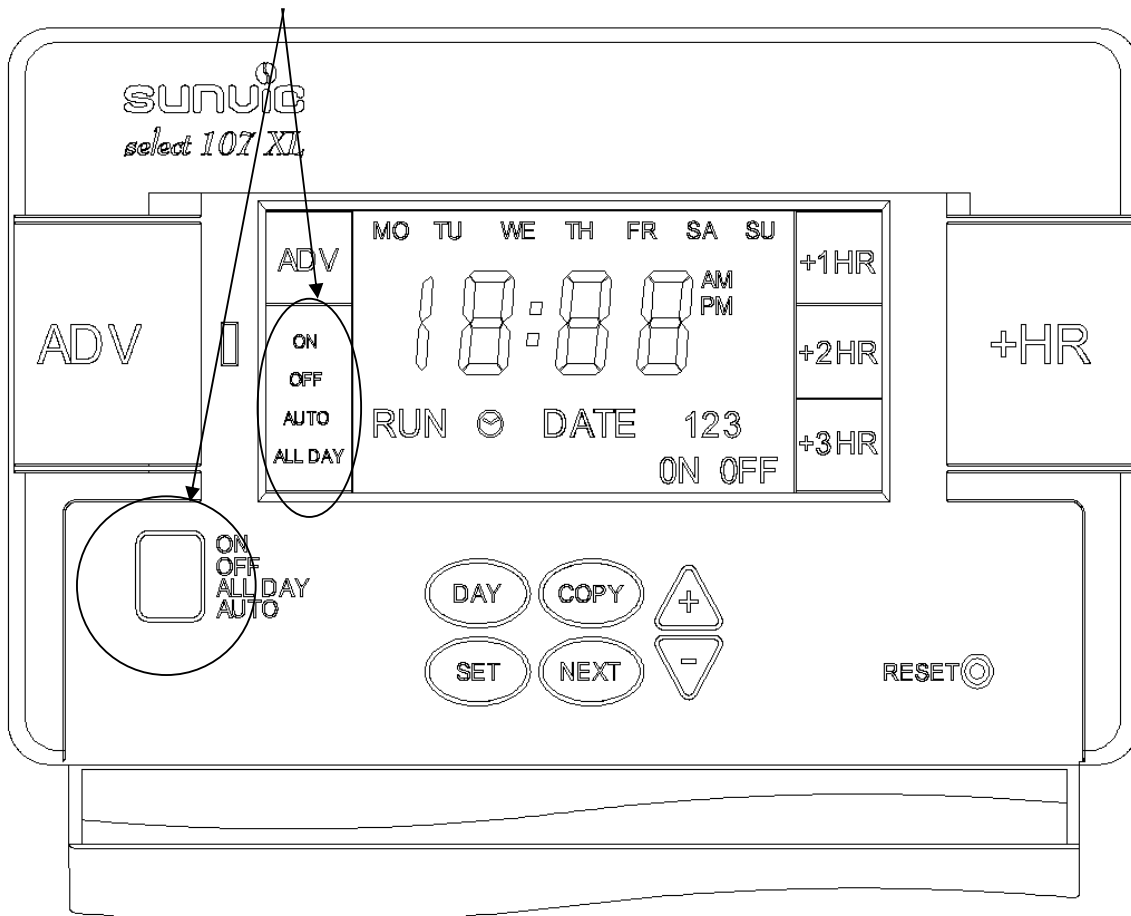
The 5 day/2 day programmer options allows different ON/OFF times at weekends.

The 7 day programmer option allows different ON/OFF times for each day of the week.

The unit is designed to eliminate the possibility of accidental changes to your programme. Buttons normally visible, only affect your set programme temporarily. All buttons which can permanently change your programme are located behind the flip-down fascia.

#### SELECTING OPERATING MODE

Use the Mode button to select one of the four operating modes



- ON** Switch will be on continuously (I.E. All the time).
- AUTO** Switch will be switched On or Off as programmed
- ALLDAY** Switch will be switched On only once each day.  
It will switch ON at the first ON time and OFF at the last OFF time.
- OFF** Switch will be continuously OFF.

Press the **SET** button once. The **clock** icon on the screen will flash. Press the +/- buttons to adjust the time. Hold down button to change time quicker.

## Setting the Time and Date

Press **SET** button till the Y:00 icon (year) appears and the letter D flashes. Press the +/- button to set the year. Press **NEXT**. N:00 appears (month). Press +/- button to set month. Press **NEXT**. d:00 appears (Day). Press +/- button to set day.

Note: The unit will automatically return to run mode if a period of 5 minutes passes without any buttons being pressed.

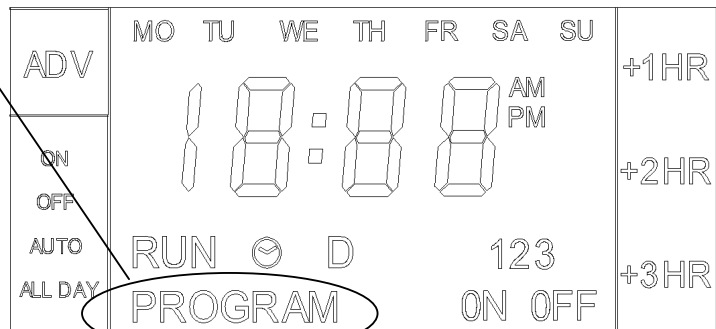
## CHANGING PROGRAMME TIMES

The built in programme can be easily changed to better suit your needs

To change the programme, press **SET** until **PROGRAM** icon flashes in the screen and **1 ON** appears. This indicates the time shown on the display is the first **ON** time. Change this to the required ON time by pressing the +/- buttons.

Press **NEXT** button, display will now show **1 OFF**. Change as before.

Use the **NEXT** and +/- buttons in this way to programme the second time period.  
If the unit is set for three **ON/OFF** periods, the number 3 will appear. This is set in exactly the same way as the previous first and second time period.



If unit is installed as a 7 day programmer, the initial programme displayed will be for Monday. You can go to any day of the week by pressing **DAY** button repeatedly. The ON/OFF times can be changed for each day as above. If you press **COPY** button, the current programme will be copied into the next day.

If unit is installed as a 5day/2day programmer, the initial programme displayed will be for Monday to Friday. Pressing **DAY** button will take you to the programme for Saturday and Sunday. The ON/OFF times can be changed for each day group as above. If you press **COPY** button, the current programme will be copied into the next day group.

If the unit is installed as a 24hr. Programmer, the built in programme will be the same for each day (as for Monday to Friday overleaf). The **COPY** function is not required if installed as a 24 hr. programmer.

To return to **RUN** mode, press **SET** button until the word **RUN** appears

### Note

It is not possible to copy Sunday to Monday.

For convenience to allow for programmes to go past midnight, the programme day is from 03:00am to 02:50am the next day.

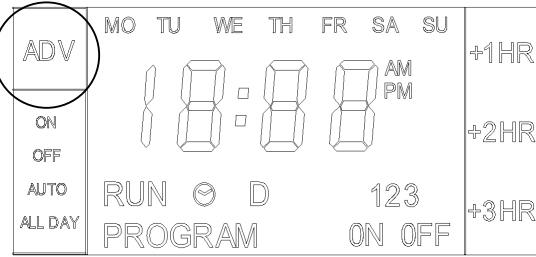
If your programme gets scrambled, or you want to start again, press the reset button using a non-metallic tool to re-load the default programmes, then press any button to clear the DIP switch configuration code. The unit should revert to time setting mode ready for programming.

## USING ADVANCE

This function is only available when programme is in **AUTO** or **ALLDAY** operating modes.

Press the **ADV** button. This will turn  
The switch **ON** if it was in an **OFF** period  
And vice versa. It will stay in this state until  
either **ADV** is pressed again, or until a  
programmed **ON/OFF** commences.

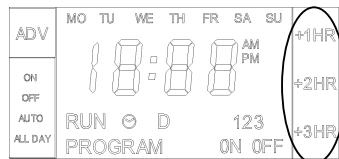
An indicator will appear on display top left hand  
Corner, showing **ADV**.



## USING+1HR.

### For +1hr

Press the **+1hr** button. If the operating mode is **OFF** then it will switch on for 1 hr.  
If the operating mode is **AUTO** or **ALLDAY**, then during an **OFF** period, it will switch on for 1hr. If during a  
**ON** period, then it will temporarily extend that programme up to a maximum of three hours.



An indicator will appear on display at the right hand side showing **+1Hr**, **+2Hr** or **+3Hr** depending on how  
often the +Hr button was pressed

Pressing **+1hr** again cancels this function. When in the **ON** mode the **+1hr** button has no effect.

## POWER INTERRUPTION

In the event of a mains supply failure, the back-up battery ensures the programmer continues to keep time  
and retain your stored programme. The screen will go blank, but will return when power is restored.

## RESET BUTTON

Press the reset button with a non-metallic pointed tool to restore the built in programme plus the time and  
date. The display will then show the current state of the configuration switches.

Press any button to revert to time setting mode. The unit is then ready for programming. See **SETTING TIME**  
**OF DAY** section.

## BUILT IN PROGRAMME

For convenience, the programmer has a built in  
programme which for many people is perfectly  
satisfactory, but it can be changed quite easily

### Factory programme settings

	Mon-Fri	Sat&Sun
1 <sup>st</sup> ON	6:00am	7:00am
1 <sup>st</sup> OFF	8:30am	9:00am
2 <sup>nd</sup> ON	12:00 noon	12:00 noon
2 <sup>nd</sup> OFF	12:00 noon	12:00 noon
3 <sup>rd</sup> ON	4:30pm	4:30pm
3 <sup>rd</sup> OFF	10:30pm	11:00pm

The timer will automatically change from Greenwich mean time to British summer time and vice versa

# Installation Instructions

## SELECT 107 XLS Programmer

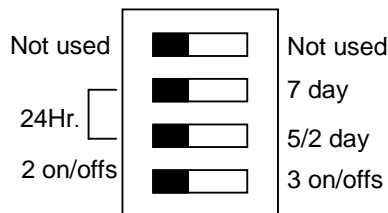
### Technical Data

Power supply:	230v AC 50Hz.
Ambient temperature:	Operating 0°C to 35°C
Total Input:	6A
Switch Rating:	230vAC 6(2)A
Battery:	Never needs replaced
Wiring:	For fixed wiring only
Maintenance:	No user maintenance reqd.
Disconnection class:	1B

This unit must be installed by a competent person in accordance with the latest appropriate wiring regulations.

### Pre Installation set-up

Before installing, set the bank of 4 DIP switches on the back, to configure the unit according to the chart below.



DIP switches shown in factory default position

- 24Hr.** - Runs same programme every day
- 5/2 Day** - Allows different ON/OFF times at weekend
- 7 Day** - Allows different on/off times every day

When unit is first switched on, or when the reset button is pressed, the status of the DIP switches is displayed.

### INSTALLATION

Be sure to switch off the mains supply before starting. Please read all installation instructions before proceeding.

Ensure that the fixed wiring connections to the mains supply, is via a fuse rated at not more 6 amps, and a class 'A' switch, having a contact separation of a minimum of 3mm in all poles.

#### DIRECT UPGRADE FOR EXISTING TIMESWITCHES

1. Switch off mains. Loosen 2 securing screws on old programmer and unplug it.

2. Check existing wall-plate has been correctly fitted. (See section, Fitting wall plate)
3. Plug SELECT programmer into wall-plate and re-tighten screws. Switch on at mains.
4. Set timing and programme as detailed in user guide

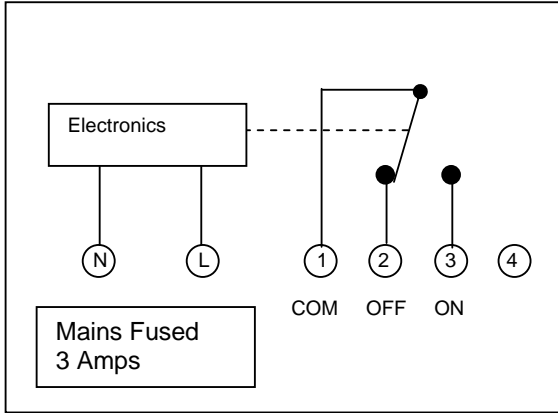
**Please note,** If you wish to change any of the DIP switch functions at any time, when the unit is replaced back on the wall plate, it will flash the latest configuration for 10 secs. and then revert back to normal run time. If you don't want to wait for the 10 secs. pressing any button will also take the programmer back to the normal run time.

#### FITTING WALL PLATE

1. Position the wall-plate (terminals along the top edge) with 60mm (Min) clearance to its right, 25mm (Min) above, 90mm (Min) below. Ensure that the supporting surface will fully cover the back of the programmer.
2. Ideal location would be 1.4m above floor level, easily accessible, reasonably lit and free from condensation or temperature extremes.
3. Fix the wall-plate to a flush mounting single conduit box type UA1 (BS4662) using M3.5 x 14 bolts.
4. Ensure that the wiring to the wall-plate terminals leads directly away from the terminals and is completely enclosed within the wall-plate aperture. Wire ends must be stripped and screwed to the terminals, so that minimal bare wire is showing.
5. If the unit is fitted to a metal surface, IT IS ESSENTIAL that the metal be earthed. Do not use a surface mounting box.
6. Ensure the mains supply is switched off, then make wiring connections. No EARTH connection is required, but ensure continuity of EARTH throughout the system.
7. After wiring, plug unit into wall plate and tighten the securing screws. Switch on at mains.

- 8. Setting timing and programme as detailed in user guide.
- 9. NEVER fit or remove the unit to a LIVE wall-plate.

Programmer Internal Wiring Diagram



Configuration	Display
Configuration	Display
2 On/Off pumped	2PU
3 On/Off pumped	3PU
Mon to Sun indicators	
7 Day	Mon to Sun successively on
5/2 Day	Mon to Fri on alternating with Sat Sun on
24 Hour	Mon to Sun on all together

This product complies with the essential requirements of the following EC directives:

Electro-magnetic Compatibility directive EMC 89/336/EEC (as amended by 91/263/EEC and 92/31/EEC)

Low voltage directive LVD 73/23/EEC; 93/68/EEC



SUNVIC CONTROLS Ltd.  
 Units 1 & 2, Block 1  
 251 low Waters Road  
 Cadzow Industrial Estate  
 Hamilton  
 MI3 7QU

Tel 01698 812944  
 Fax 01698 813637

Tech Helpline 01698 810945  
 Tech Help. Fax 01698 307437

[WWW.sunvic.co.uk](http://WWW.sunvic.co.uk)

In the interests of continuous product improvement, Sunvic Controls reserve the right to alter designs, specifications and materials, without prior notice, and cannot accept liability for error.

Installation leaflet LE/497/0003 ISSUE 02 Jan 2013

## TIME SWITCH TERMINAL COMPARISONS

MAKE Sunvic	MODEL 107XL	TERMINALS				
		N	L	1	2	3
ACL-Drayton	LP111, LP711	N	L	1	2	3 ***
ACL-Drayton	TC (Towerchron)	2	1			7
ACL-Drayton	Tempus 1 & 2	N	L	1	3	2
ACL-Drayton	Switchmaster	N	L	4		1
Danfoss	TS 715 Si	N	L	1	2	3 ***
Danfoss	103, 103E5, 103E7	5	6	3		1
Danfoss	Set1E	N	L	5	6	4
Danfoss Ran .	TS15 75(Mk 18)	N	L	1	2	4
Danfoss Ran.	Set 1	N	L	5	6	4
Danfoss Ran.	Set 4	N	L	5	6	4
Danfoss Ran.	103, 103E, 103E7	N	L	3		1
Danfoss Ran.	911, 971	N	L	5	4	6
Honeywell	ST6100A, ST6100C	N	L	1	2	4
Honeywell	ST 7000B	N	L		2	3
Horstmann	Centaur SC1, SC7	N	L	4		3
Horstmann	Coronet	N	L	5	6	4
Horstmann	Emerald 423, Pearl auto	N	L			4
Horstmannn	517	N	L	5	6	4
Landis & Gyr	RWB 3	N	L		3	4
Landis & Gyr	RWB30, RWB50, 100, 152, 170	N	L	2	3	4
Sunvic	SP20, SP35	N	L	3	4	5
Potterton	EP4000, 4001	N	L	5	2	4
Sangamo	M6	4	6	3	2	1
Smiths	Centroller Mk1, Mk2	N	L	3		2
Smiths	Centroller 30	1	2			4/5
Smiths	Centroller 300, 980	N	L	4		1
Towerchron	DT71	N	L	3	2	4
Towerchron	T2001, T2001Q	N	L			7
Venner	Vennerette	N	L	Line		Load