

SUNVIC

INSTALLATION INSTRUCTIONS

TLX 6501

PROGRAMMABLE ROOM THERMOSTAT

This unit must be installed by a competent person in accordance with the latest appropriate Wiring Regulations

TLX 6501 Technical Data

Temperature Range:	5 °C to 40 °C in 0.5 °C steps 16 °C to 40 °C selectable
Differential:	Typically 0.6 °C at 4K per Hr
Ambient Temperature:	Operating 0 °C to 45 °C
Power Supply:	2 type AA 1.5V alkaline cells (supplied)
Battery Life:	2 years typical
Wiring:	For fixed wiring only
Maintenance:	No user maintenance required
Year 2000 compliant in accordance with BSI/DISC 2000-1	

Installation

Be sure to switch off the mains supply before starting. Please read all installation instructions before proceeding.

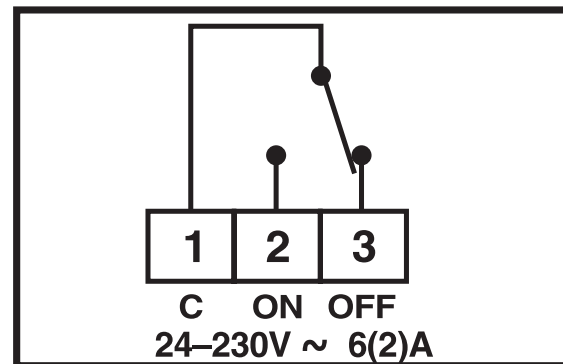
Ensure that the fixed wiring connections to the mains supply is via a fuse rated at not more than 6 amps and a class 'A' switch having a contact separation of a minimum of 3 mm in all poles.

- Remove the wall-plate from the unit using catch on right-hand side and hinging to the left-hand side. Open the internal safety cover on the wall plate by slackening the retaining screw and hinging back to reveal the terminal block.
- Thread the connecting cable through the cable entry hole in the rear of the wall plate. Fix the wall-plate either directly to a flat wall using wall plugs and No. 6 x 1" woodscrews or on a flush mounting single conduit box type UA1 (BS4662) using M3.5 x 14 bolts. Ensure the cable used is double insulation rated for the application load (6 amps max).
- The wall plate should be positioned with a minimum of 70mm clearance to left and right to allow easy removal for armchair programming. The ideal position is about 1.5m above floor level, accessible, reasonably lit and free from extremes of temperature and draughts.

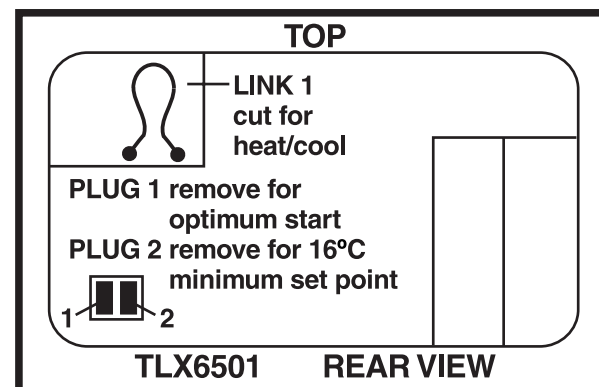
Do not mount on an outside wall, above a radiator or where it may be subjected to direct sunlight.

- For surface wiring use trim knife and pliers to snap out removable cable entry strip on the bottom edge of the unit. Thread the connection cable through the channel in the bottom edge of the wall plate.
- Strip back wire insulation as required and securely fit wires to terminal block in accordance with the wiring diagram below. Note that an earth connection is not necessary as the TLX 6501 meets the required Double Insulation Standards.
- Hinge the internal safety cover back to its original position and secure with the retaining screw. If unit has been surface mounted please ensure the wiring cable does not interfere with the internal safety cover as it is closed. The surface mount wiring cable should run vertically downwards from the exit in the internal safety cover through the hole provided in the bottom edge of the wall plate.
- Configure the unit using the links and selector plugs as indicated below. Unit is supplied in a Heat Only configuration i.e. Link 1 connected. Cut for Heat/Cool configuration as shown. Selector plug 1 provides Optimum or normal start, remove for Optimum Start. Plug 2 provides a 5°C or 16°C minimum set point, remove for 16°C min. Selector plugs not required should be retained for future use by carefully re-inserting on one pin only. Carefully stick the appropriate User Instruction label (Heat Only or Heat/Cool) inside the cover flap. Discard the remaining unused label.
- Remove the insulation slip from the batteries. Press reset using the tip of a pencil set the time/day and select the required operating mode (see User Guide). Check unit is functioning.
- Plug in the TLX 6501 by first engaging the hinges at the left-hand side and closing ensuring the unit is securely retained by the clip at the right-hand side. Ensure the User Guide provided is left for the householder.
- The TLX 6501 can be safely removed from the wall plate to facilitate armchair programming. Whilst doing so the heating system will be effectively switched off. Please note that heat from the hands while armchair programming will give a false temperature reading on the TLX6501 display. The unit will stabilise to room temperature approximately 20 minutes after re-fitting to the wall plate.

WIRING DIAGRAM



LINKS AND SELECTOR PLUGS



This product complies with the essential requirements of the following EC Directives:

Electro-Magnetic Compatibility directive
EMC 89/336/EEC (as amended by 91/263/EEC
and 92/31/EEC
Low Voltage Directive.
LVD 73/23/EEC; 93/68/EEC

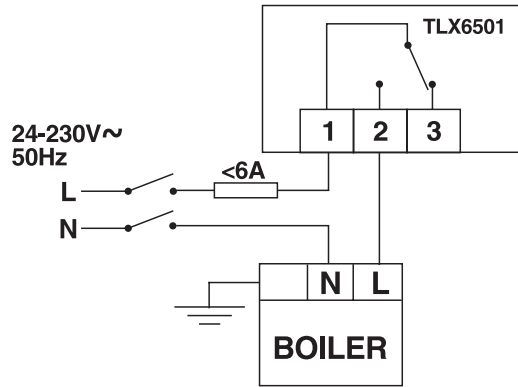


SUNVIC CONTROLS LTD.
Bellshill Road, Uddingston, Glasgow G71 6NP
Tel: (01698) 812 944 Fax: (01698) 813637
Technical Helpline Tel: (01698) 810945

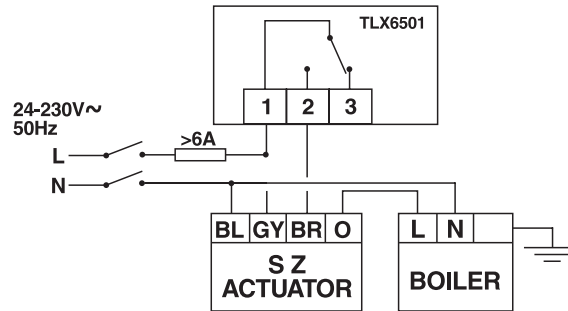
In the interests of continuous product improvement Sunvic Controls reserve the right to alter designs, specifications and materials without prior notice and cannot accept liability for errors.

APPLICATIONS WIRING DIAGRAMS

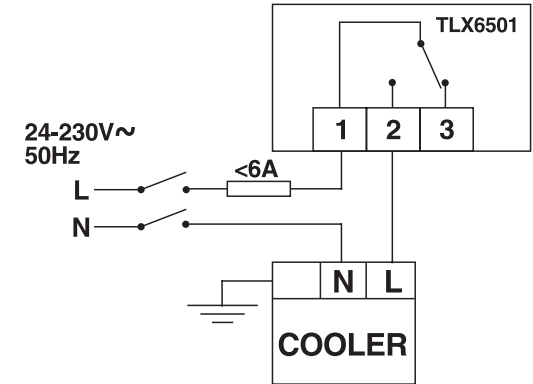
COMBI a.



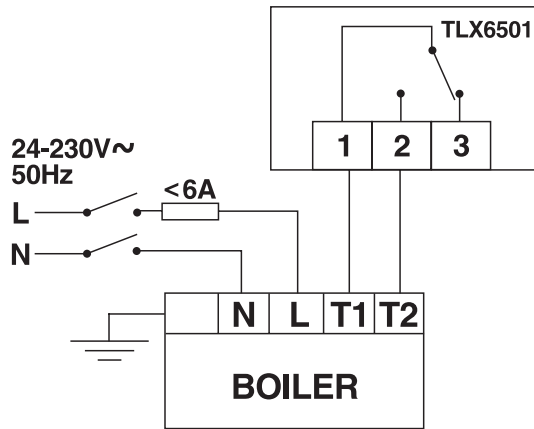
SPRING RETURN ACTUATOR



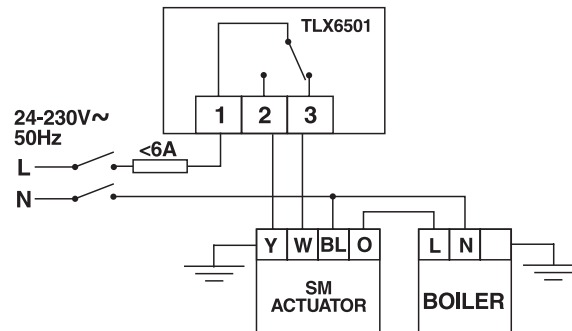
COOLER



COMBI b.



MOTOR ON/OFF ACTUATOR



COOLER/HEATER

