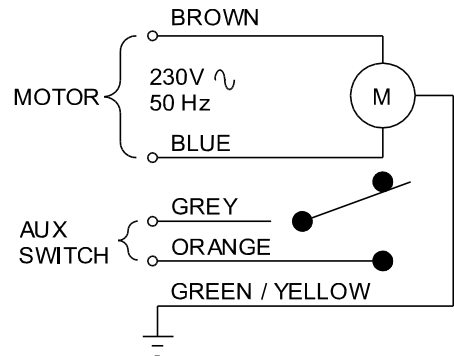
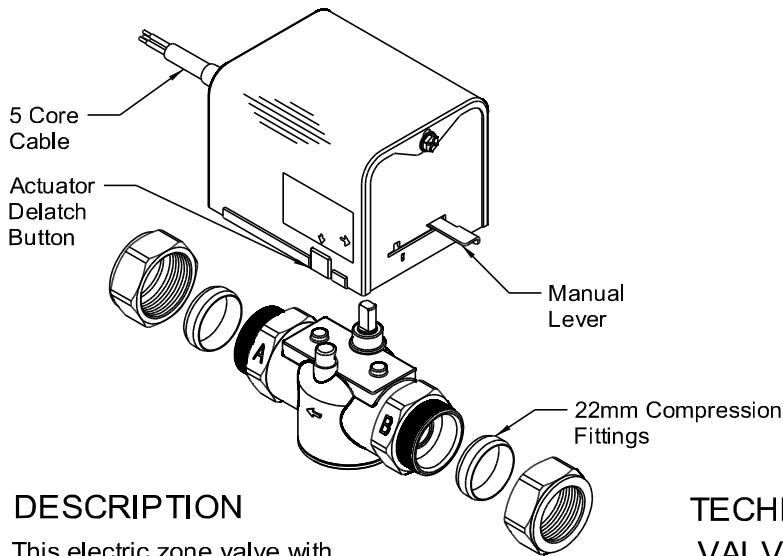
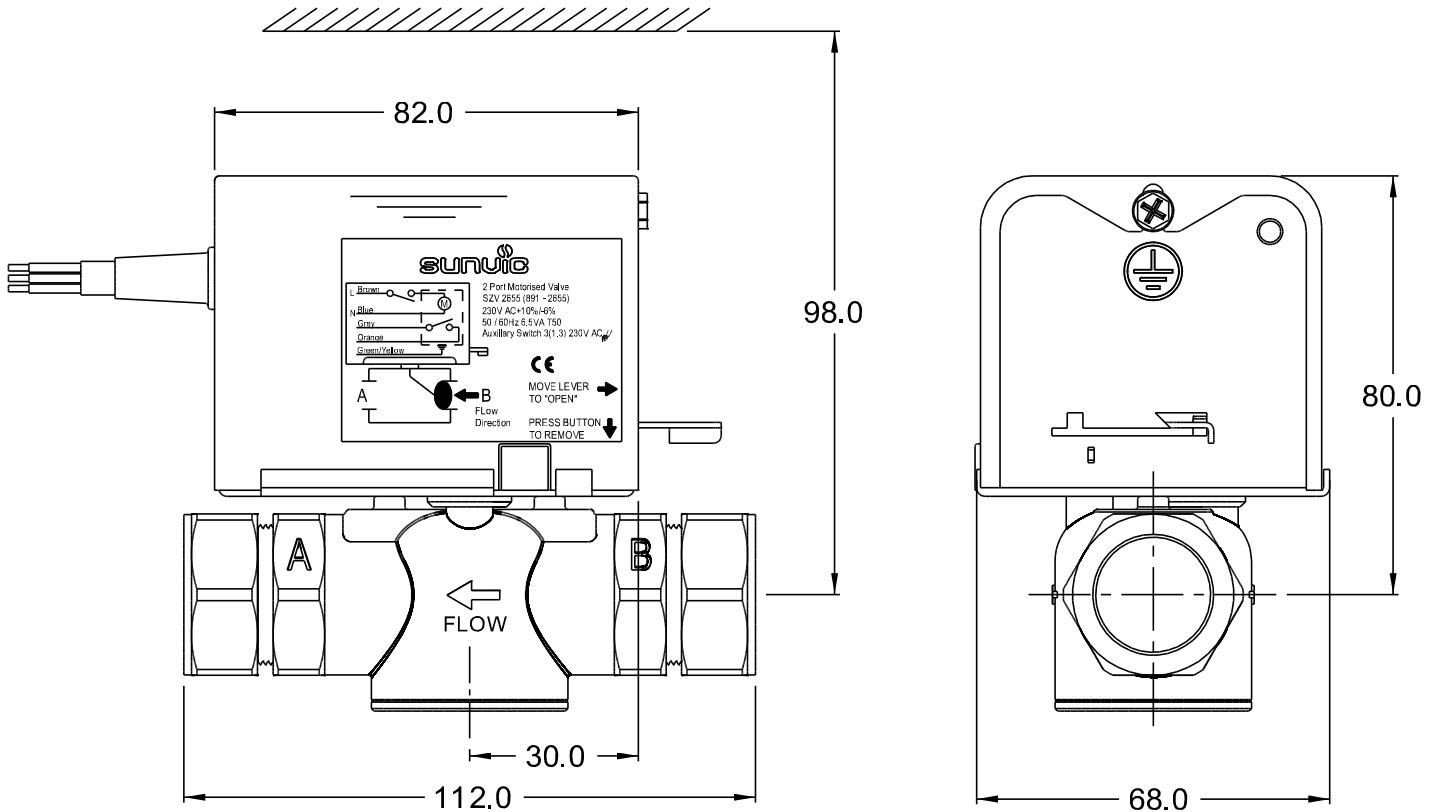


# Motorised Valve 22mm 2 Port Normally Closed

## Spec No. SZV 2655 (891 - 2655)



### DESCRIPTION

This electric zone valve with forged brass body offers spring closed (2 port) for hot or chilled water applications

### MATERIAL

Valve body : Forged brass  
Sealing material : NBR  
Actuator base : Stainless steel

### FEATURES

Demountable replaceable actuator  
Replaceable synchronous motor

### TECHNICAL SPECIFICATION

#### VALVE

Compression fittings for standard 22mm copper pipe

Kvs ( m <sup>3</sup> /h )	4.6
Max close off pressure	1.0 bar
Max static pressure	1.6MPa
Max operating Pressure	1.6MPa
Perm. operating temperature	2 - 88°C

#### ACTUATOR

Motor supply voltage	230V AC
Rated impulse voltage	2500V
Power consumption	5W
Auxillary switch rating	5A 230V
Max ambient temperature	50°C

