

# TRV 510 Specifications

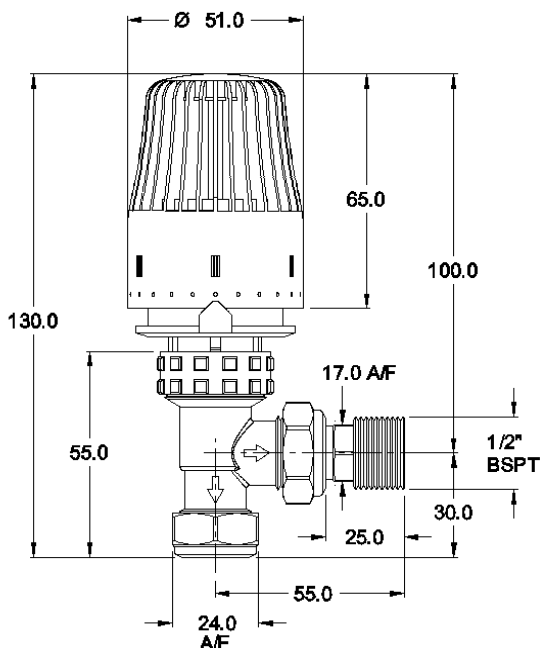
15mm angled valve



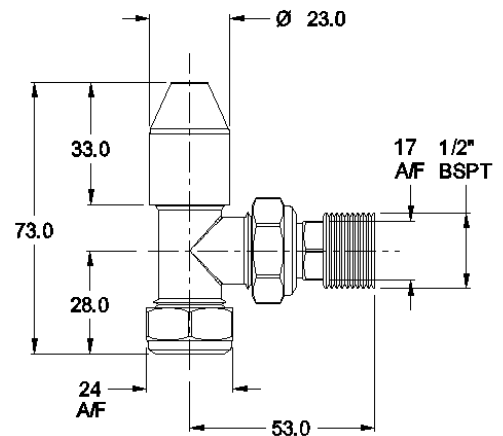
## Features

- Chrome plated body
- Fully reversible
- Suitable for flow or return
- Horizontal or vertical installation
- Liquid sensor
- Frost protection setting
- Matching lock shield
- Optional 8mm & 10mm reducer pack
- Range stops

Technical Specification	
Max. Working Pressure	10 Bar
Max Differential Pressure	1.0 Bar
Max Static Pressure	10 Bar
Max Water Temperature	120°C
Maximum ambient temperature	50°C
Temperature Range	6°C - 28°C
Nominal flow qmN	140 to 160 L/Hr
Standard	EN215
Temperature Settings	
Scale:	*   II III IIII IIIII
Temp (°C)	6 12 16 20 24 28



TRV Dimensions



Lock shield Dimensions