

SUNVIC

comfort in control

16 - Way Wiring Centre 591 - 3202A

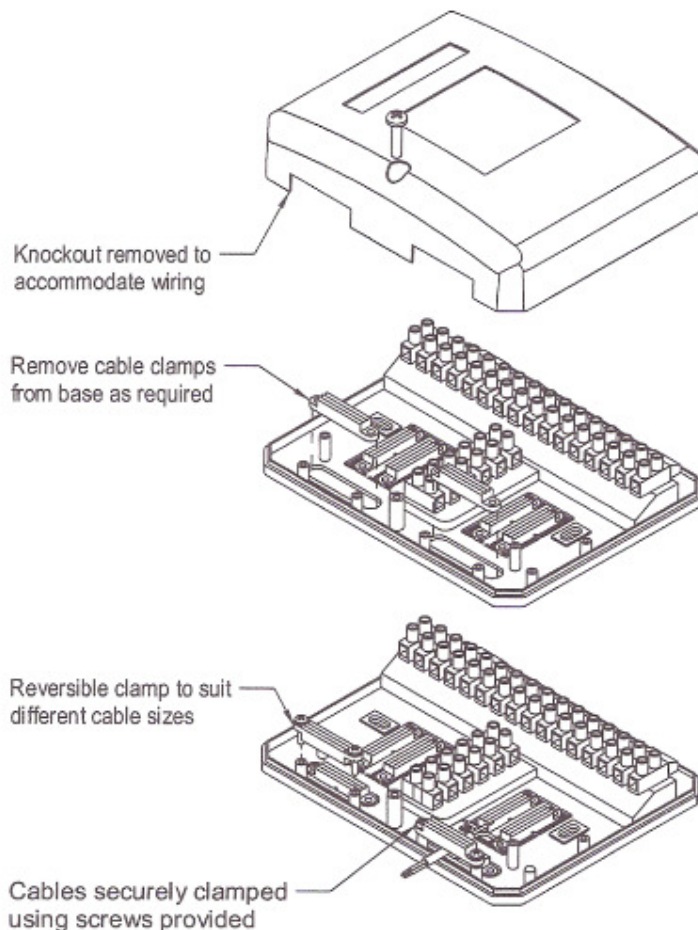
INSTALLATION INSTRUCTIONS

N.B. All installations and servicing should be carried out by a competent person and in line with current wiring regulations

WARNING

The front cover of the wiring centre should not be removed unless the unit is isolated from the electrical supply

Ensure connection links are fitted between neutral (N)
Ensure connection links are fitted between the earth (E)



Specification

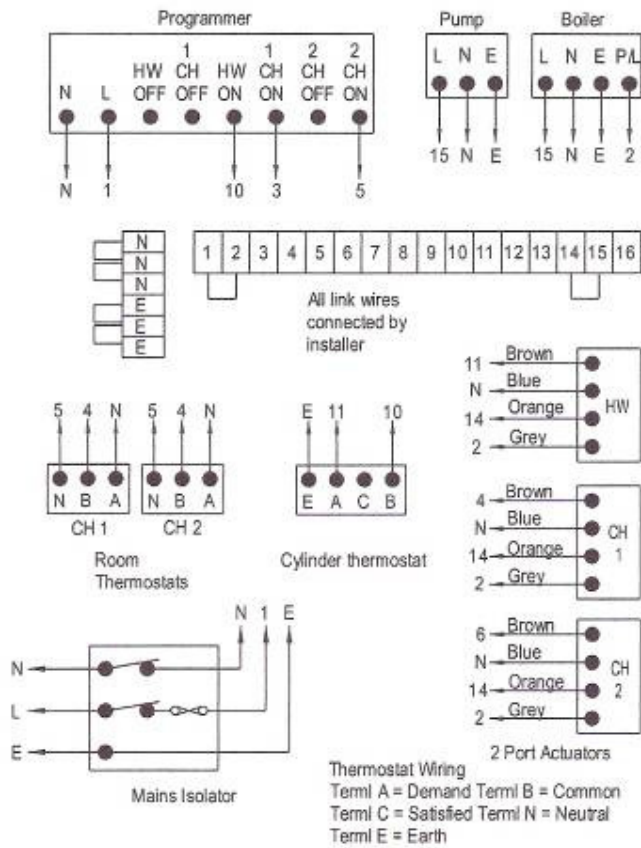
Product description	16 Way Wiring Centre
Part Number	591 - 3- 202A
No. of Terminals	16 User + 6 Mains
Cable Access	Top, Bottom, Left, Right, Rear
Cable Clamps	Supplied with Unit
Material	Flame Retardant ABS
Contact Rating	10A 230V 50Hz
Protection Rating	IP 20
Maximum Ambient Temperature	55°C
RoHS Compliant	Yes
CE Mark	Conforms to 2006/95/EC
Unit Dimensions	171mm x 137mm x 38mm
Pack Dimensions	175mm x 140mm x 45mm
Pack Weight	280g



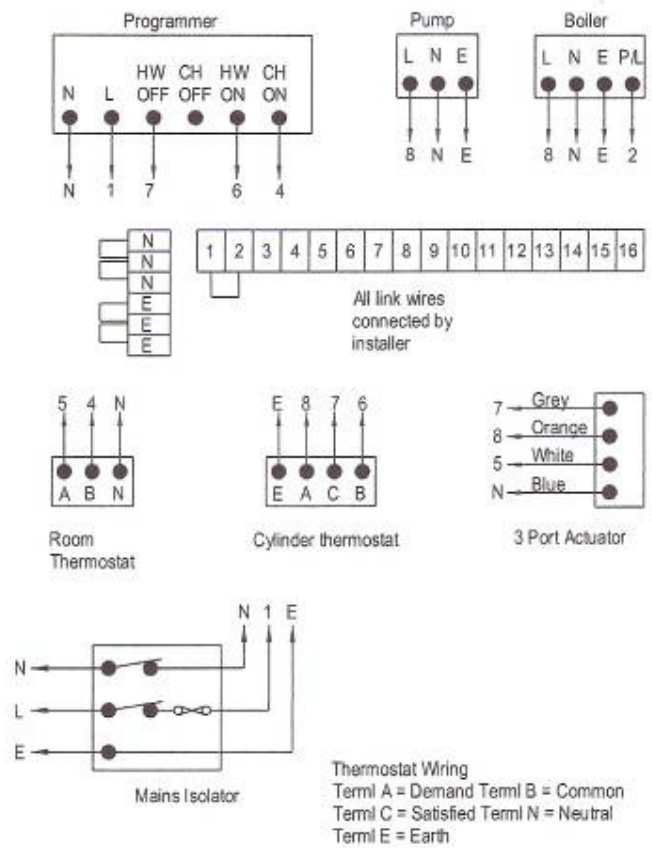
N.B. In line with a policy of continuous product development, SUNVIC CONTROLS Ltd. reserves the right to change the specification, design and materials of products without prior notice

SUNVIC CONTROLS Ltd
Units 1 & 2, Block 1
251 Low Waters Road
Cadzow Industrial Estate
Hamilton, ML3 7QU
Tel. +44 (0)1698 812944
Fax +44 (0)1698 813637
Technical
Helpline +44 (0)1698 810945

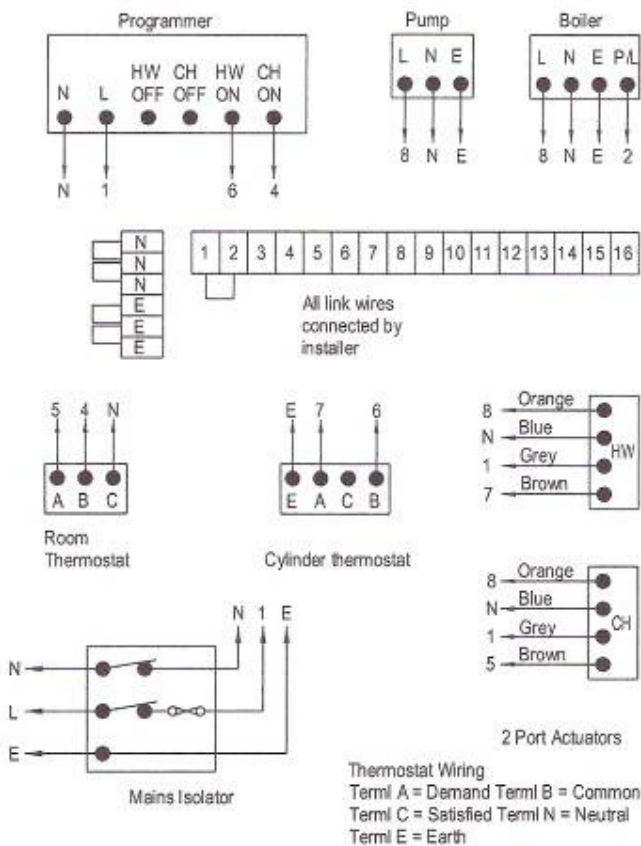
Typical 3 Channel Programmer Wiring Diagram (2CH, 1HW)



Typical Unishare Diagram



Typical 2 Channel Programmer (Twin Unival) Wiring Diagram



Typical 2 Channel Programmer (Twin Minival) Wiring Diagram

