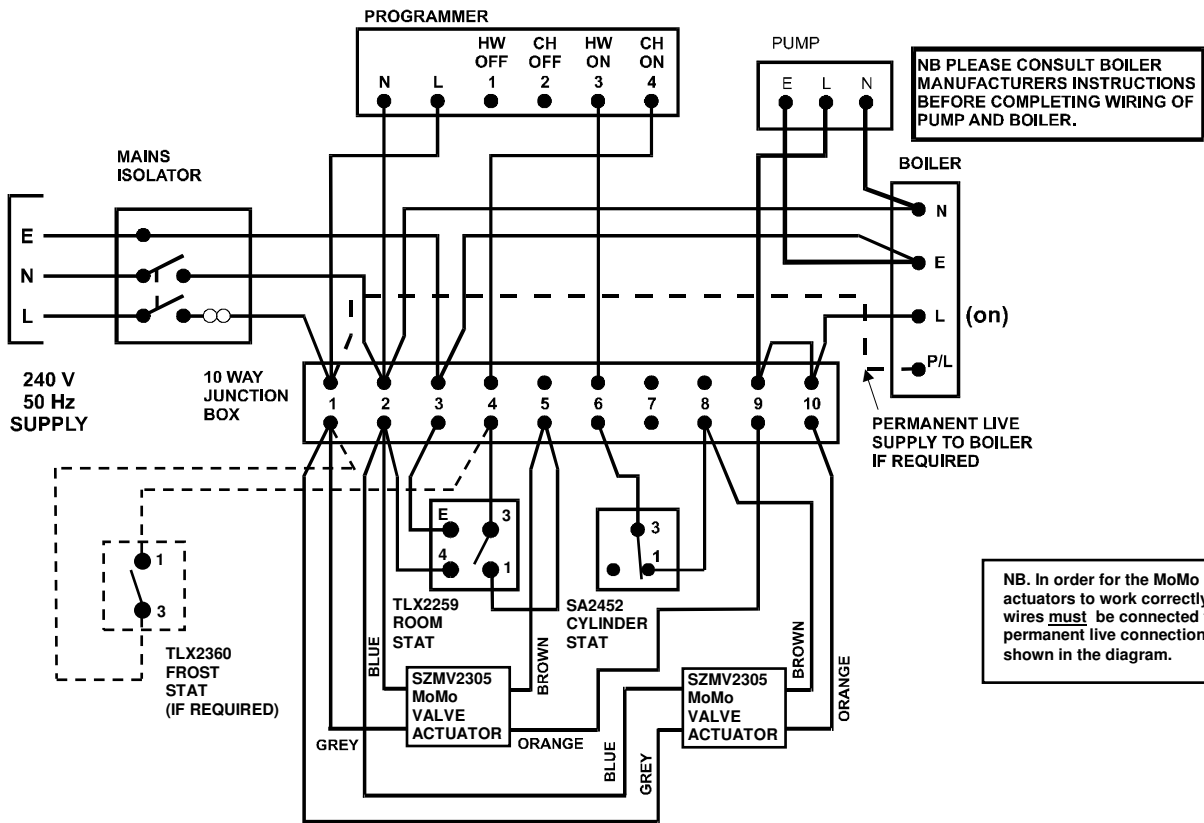


TWIN UNIVAL SYSTEM WITH SUNPRO 2000 PROGRAMMER



NB. All installations and maintenance must be carried out by a competent person and in accordance with current building and wiring regulations.

Please consult user and installation instructions for all products used.

TECHNICAL HELPLINE 01698 810945

Monday to Thursday 09:00 - 12:00

13:00 - 16:00

Friday 09:00 - 12:00

SUNVIC CONTROLS LIMITED

Units 1 & 2, Block 1, 251 Low waters road, Hamilton ML3 7QU
Telephone +44(0)1698 812944 Fax +44(0)1698 813637



SUNVIC
comfort in control