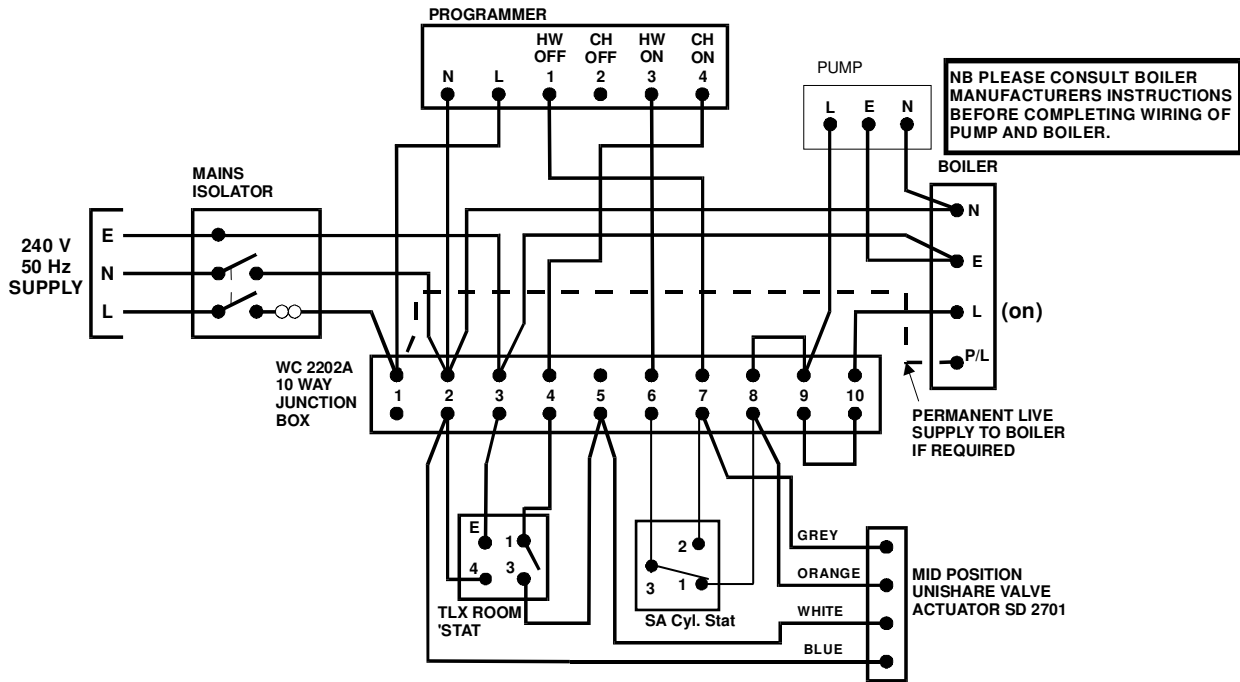


UNISHARE SYSTEM WITH SUNPRO 2000 PROGRAMMER AND TLX 9000 THERMOSTAT



NB. All installations and maintenance must be carried out by a competent person and in accordance with current building and wiring regulations.

Please consult user and installation instructions for all products used.

TECHNICAL HELPLINE	01698 810945	
Monday to Thursday	09:00 - 12:00 13:00 - 16:00	
Friday	09:00 - 12:00	
SUNVIC CONTROLS LIMITED		SUNVIC comfort in control
Units 1 & 2, Block 1, 251 Low waters road, Hamilton ML3 7QU Telephone +44(0)1698 812944 Fax +44(0)1698 813637		