

Datasheet

TLX RFPv Programmable Room Thermostat



Features

The TLX RFPv is a radio-frequency programmable room thermostat comprising of a battery powered free standing transmitter unit and a mains powered receiver unit, allowing different times and room temperatures to be selected by the user. The unit has a range of up to 60m, making it ideal for situations where no existing wiring is available, the position of the existing thermostat is being changed or the user wishes to move the thermostat from room to room. The receiver is usually mounted close to the boiler where a mains supply is readily obtained.

The clear digital display indicates the time, the day of the week, the set temperature and the ambient temperature. Heat 'ON' and a low battery indicators are provided for ease of use and reliability.

The TLX RFPv offers 8 pre-set programs and both comfort and economy settings. The 7-day, 5/2-day or 24-hour settings option allows the user to choose a program that best meets their lifestyle. Default temperature settings, user adjustable program and 12 'ON/OFF's' per day gives the user maximum flexibility while still retaining ease of use. Manual override, reset and frost protection functions provide added security and convenience for the user.

The small temperature differential ensures maximum energy efficiency and user comfort as the room temperature remains close to the set temperature.

Volts free switching is provided for added convenience.

TLX RFPv Specifications

Digital Display Specifications
Day of week
Set temperature
Ambient temperature
Low Battery indicator
Heat 'ON' indicator

Programme Specifications
8 pre-sets programs
Comfort / economy modes
Default temperature settings
User adjustable programs
12 ON / OFFs per day
7 Day setting
5/2 Day setting
24 hour setting
Reset option
Frost protection

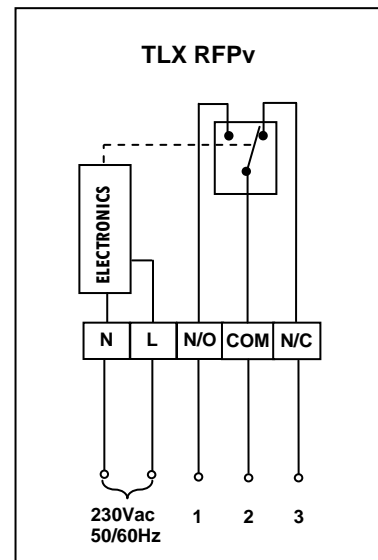
Transmitter (TX)	Specification
Power source	4 x 1.5v AA batteries
Size (mm)	138 x 80.5 x 55.5
Weight (g)	166.5
IP rating	IP30
Display temperature range	5 °C- 37°C
Control temperature range	7 °C- 30°C
Storage temperature	(-10) °C - 50°C
Temperature accuracy	±1°C (at 20°C)
Temperature differential	<1.0°C(at 20°C)
Clock accuracy	±3 seconds/day
TX frequency (MHz)	868
Address codes	multiple
CE mark	Yes

Receiver (RX)	Specification
Contact rating	6(2)A 250VAC max.
Size (mm)	108 x 85 x 35
Weight (g)	171
Range (m)	60
Volts Free	Yes
CE mark	Yes

Program Default Values

P1	0-24 ☀						
P2	0-24 ☾						
P3	0-6 ☾	6-23 ☀	23-24 ☾				
P4	0-6 ☾	6-8 ☀	8-17 ☾	17-23 ☀	23-24 ☾		
P5	0-6 ☾	6-8 ☀	8-11 ☾	11-13 ☀	13-19 ☾	19-23 ☀	23-24 ☾
P6	0-6 ☾	6-8 ☀	8-12 ☾	12-23 ☀	23-24 ☾		
P7	0-24 ☀						
P8	0-24 ☾						

Wiring



Sunvic Controls Limited

Units 1 & 2, Block 1, 251 Low Waters Road, Cadzow Industrial Estate. Hamilton, ML3 7QU.
 Tel: 01698 812944 Fax: 01698 813637
 www.sunvic.co.uk Email: sales@sunvic.co.uk